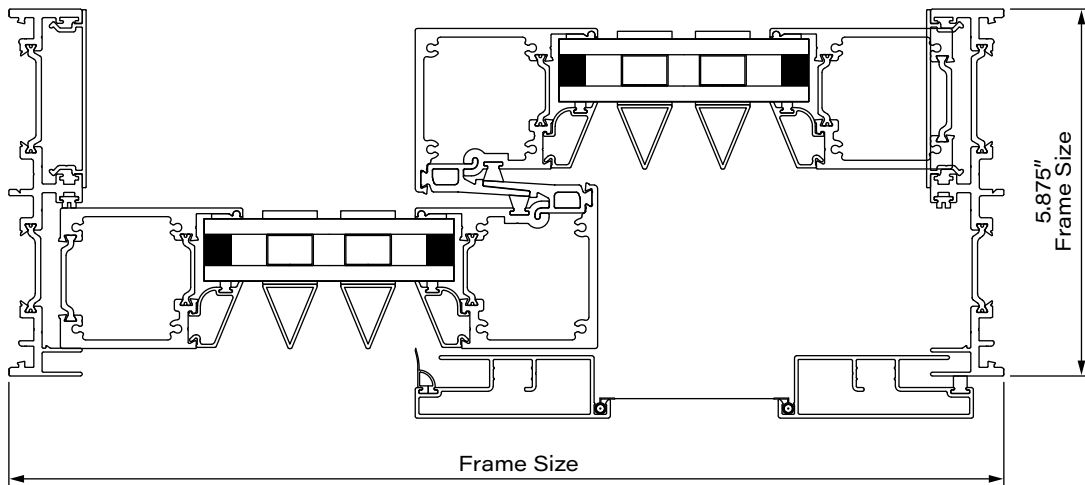
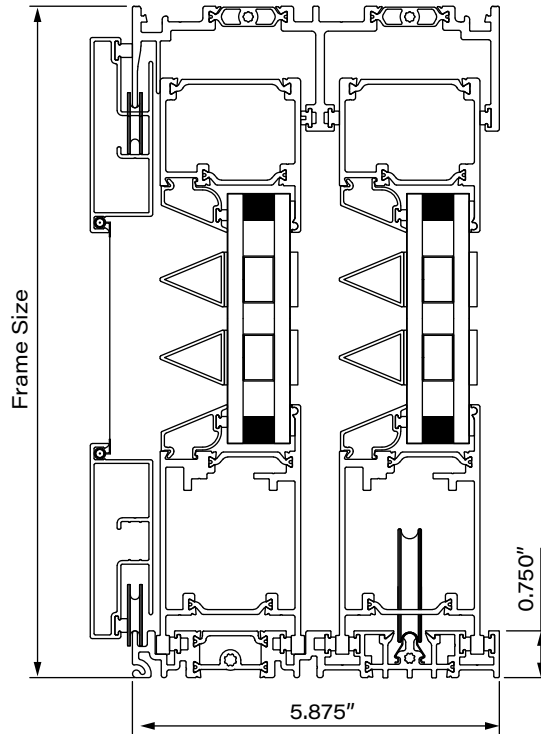


Simulated Steel Series 7650s Sliding Glass Door



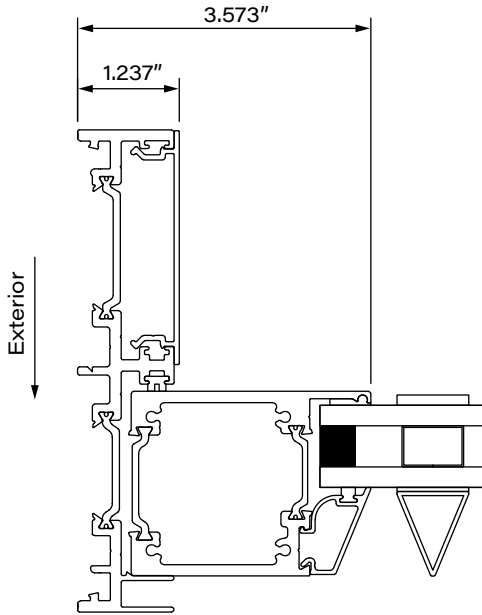
western
window systems
westernwindowssystems.com



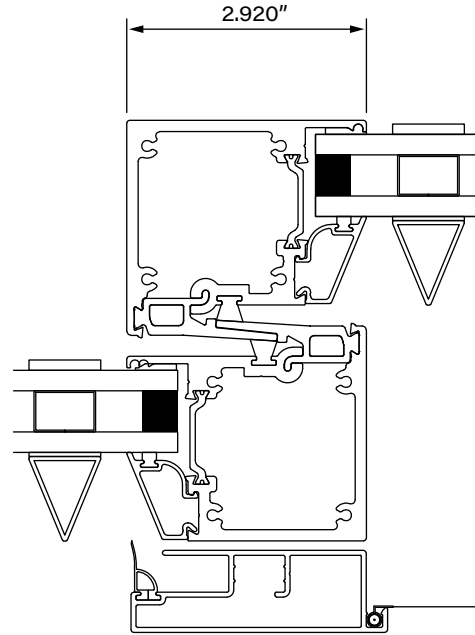
Simulated Steel Series 7650s Sliding Glass Door



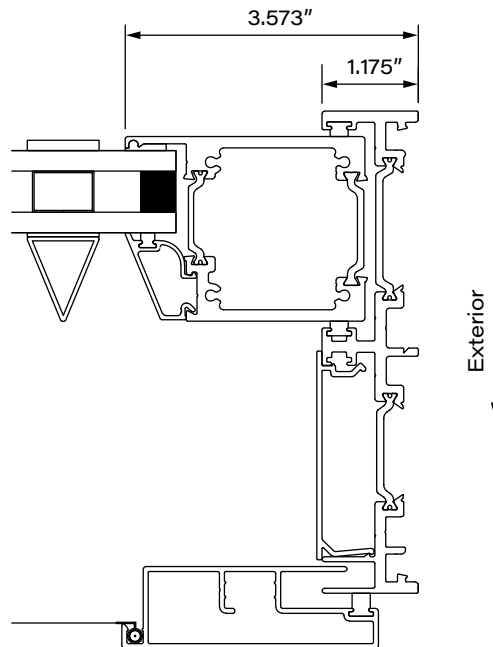
western
window systems
westernwindowssystems.com



Fixed Jamb



Interlock (Typical)

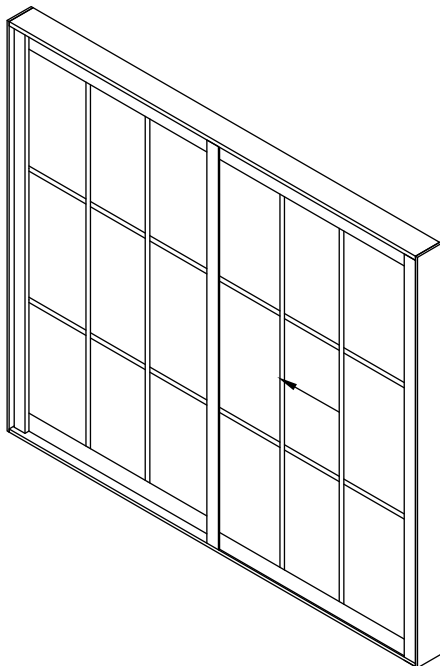


Lock Jamb @ Active

Simulated Steel Series 7650s Sliding Glass Door



western
window systems
westernwindowssystems.com



FEATURES:

- .30 U-value for standard low-E, argon-filled dual-pane glass
- All-climate coated or high-performance glass from Cardinal IG
- Glass can be customized and includes options such as laminated glass, solar- and glare-control glass, enhanced winter performance glass, and lowmaintenance glass
- Pre-applied Cardinal Preserve film protects glass during installation
- Performance-rated at DP50
- Available in sizes up to 15 feet in most markets
- 2.9" interlock stile
- Certified by the AAMA
- Quad-Zilla roller for extreme sizes and heavy glass types
- Water barrier and flush sill options
- Premium or flush-mounted handle
- Concealed locking system
- Heavy-duty hardware
- Aluminum frame panel screen
- In-stock, designer, split, and custom finishes
- System automation (third party)
- Title 24 compliant (California)