

# series 670 window

equal leg frame



**western**  
window systems  
[westernwindowssystems.com](http://westernwindowssystems.com)



installation instructions



# series 670 window

equal leg frame



**western**  
window systems  
westernwindowssystems.com

## installation instructions

---

follow instructions pertaining to the configuration you are installing

Note: Rough openings should be flashed with an appropriate moisture barrier in accordance with industry standards, building codes, and AAMA Installation Masters Program in weather board fashion.

1. Verify opening is the appropriate size to accept product. Opening is to be square, plumb, and level.
2. Apply a two-finger bead of sealant across width of opening and 4" up both jambs. Locate 2" inside of the outer frame point.
3. Remove jamb stops. Drill and countersink for installation screws every 18" on center.
4. Place window into opening and hold in place with shims at the head.
5. Square, level, and plumb the window using shims.
6. Pump sealant into installation holes, then run installation screws through prepared holes.
7. Trim excess shims.
8. Backer rod and perimeter caulk the jambs and head.
9. Lay a back bead of sealant entire width of opening, behind sill and 4" of the jambs.
10. Open and close sash to verify proper operation of multi-point lock.

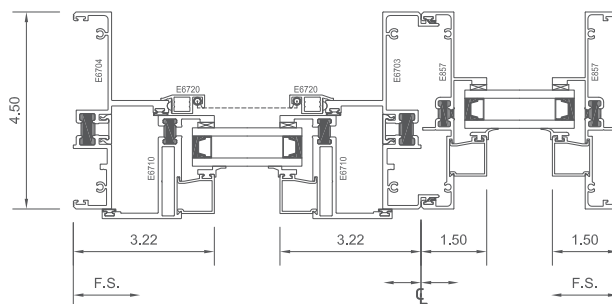
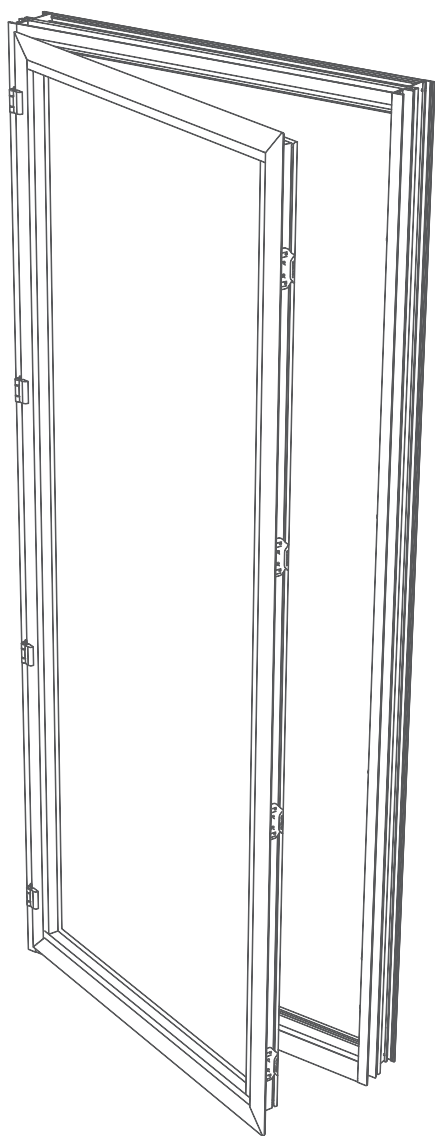
# series 670 window

equal leg frame

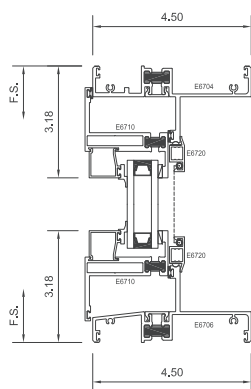


## installation instructions

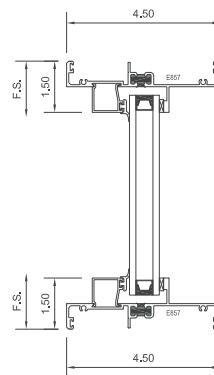
### hardware and details



**A** jamb  
thermally broken ▶ casement window  
thermally broken ▶ fixed window



**B** head ▶ sill  
thermally broken ▶ casement window



**C** head ▶ sill  
thermally broken ▶ fixed window