



Series 7950 Installation Instructions
Bi-Fold Door

Things to Know Before You Start

Removal of Old Fenestration Products

Ensure that any old fenestration products are removed and properly disposed. You may be able to recycle or donate removed glass and frames. For more information, check with your local recycling agency, the American Architectural Manufacturers Association, the U.S. Environmental Protection Agency, or the Building Materials Reuse Association to locate a nearby company or organization that accepts used windows and doors. To donate removed products, contact local nonprofits in need of building supplies, such as Habitat for Humanity.

Please note: Homes and condominiums built before 1978 may have lead-based paint, which can pose serious health hazards during removal. Information and instruction regarding proper management of lead-based paint is available at www.epa.gov/lead.

Installation Preparation

Bi-Fold Doors are custom-manufactured specific to each application. Prior to installation, it is important that you carefully review and understand the installation instructions and any drawings supplied. Western Window Systems' fenestration products should be installed only by experienced and qualified installation professionals. Failure to follow these instructions may result in poor performance including but not limited to operation, security, and weatherproofing failures and may void Western Window Systems' express limited warranties.

Product Handling and Storage

This is a finished product that must be protected before, during, and after installation to prevent damage to the glass, frame, finish, and hardware. Care must be taken to protect the finished head and sill after installation. Debris in either track will result in poor hardware performance.

The door panels should be stored in a dry location that is protected from the elements. Wet packaging can cause damage to product finishes. If the packaging becomes wet, immediately replace it with dry packaging. To avoid damage to the bottom rail extension, the door panels should be stored and transported upside down and should not be dropped or dragged from the delivery truck.

Components

The components supplied will vary depending on the configuration you are installing. Before proceeding with the installation, inspect the components to become familiar with them and confirm that there is no damage that will affect the appearance or performance of the installed product. Damaged or missing parts should be reported to your supplier immediately. If screens are included, they will be installed in a similar fashion as the glass panels.

Things to Know Before You Start

Other Tools and Materials Necessary for Installation

1. Flashing membrane
2. Sealant compatible with the flashing membrane
3. #10 – 2½" flat-head screws for frame installation
4. ¼" x 3" lag bolts for anchoring the head
5. 1¼" pan-head self-taping screws for nail fin installation
6. Levels of various sizes or a laser level
7. Pry bar
8. Dead-blow rubber mallet
9. Glazing roller for vinyl
10. Shims. Except in circumstances where a particular shim type is specified by applicable building codes, either wedge shims or horseshoe shims may be used. Shimming must be even across the window unit. Each shim must be long enough to cover the full width of the window frame from front to back.

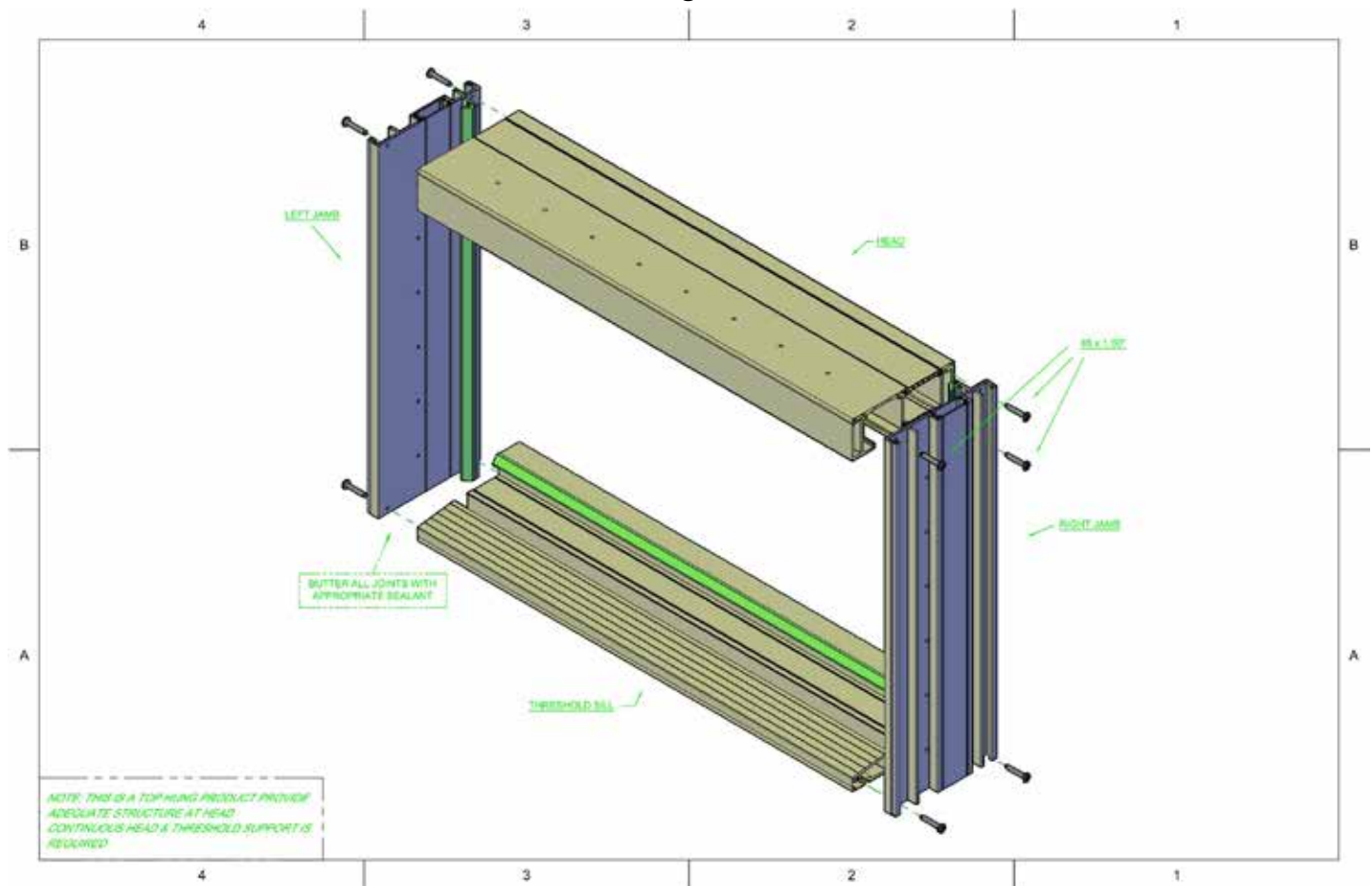
Weatherproofing

Rough openings must be waterproofed in accordance with AAMA Installation Masters standards and flashing and sealant manufacturer instructions, and they must meet all local building codes. Perimeter-caulk the window frame to the moisture barrier after installation. If the floor condition is wood, it must be protected with an appropriate flashing or waterproofing material prior to door frame installation. Please refer to the videos provided online at: <https://www.westernwindowssystems.com/professionals/dealer/>

Frame Installation

1. **Frame Components:** Each door will have a head, right and left jamb, and a threshold sill (See Fig. 1).

Fig. 1



Note: This is a top-hung product. Provide adequate structure at the head. A structural engineered beam should be calculated at 8 pounds per square foot with minimal to no deflection. Continuous threshold support and anchoring is required.

Also note that processing from the factory will allow full installation of hardware after the frame is built.

2. Inspect the rough opening carefully to ensure that it is plumb, level, and approximately $\frac{1}{2}$ " wider and $\frac{1}{2}$ " taller than the net frame size.
3. For the frame assembly, butter all joints with appropriate Dow Corning 1199 sealant. Use #12 x 1" pan-head screws provided for frame assembly.

Note: Screws provided are stainless steel and the use of wax for lubrication is highly recommended.

4. Apply a $\frac{1}{2}$ " bead of sealant across the width of the opening and 4" up both jambs. Locate it $\frac{1}{4}$ " out of the innermost frame point. Also apply another $\frac{1}{2}$ " bead of sealant under both jambs.
5. Set the frame and center it in the opening with temporary shims.
6. Shim and level the threshold as needed until level.
7. Pump sealant in the predrilled holes in the threshold and anchor it with #10 x 2 $\frac{1}{2}$ " pfh anchors.

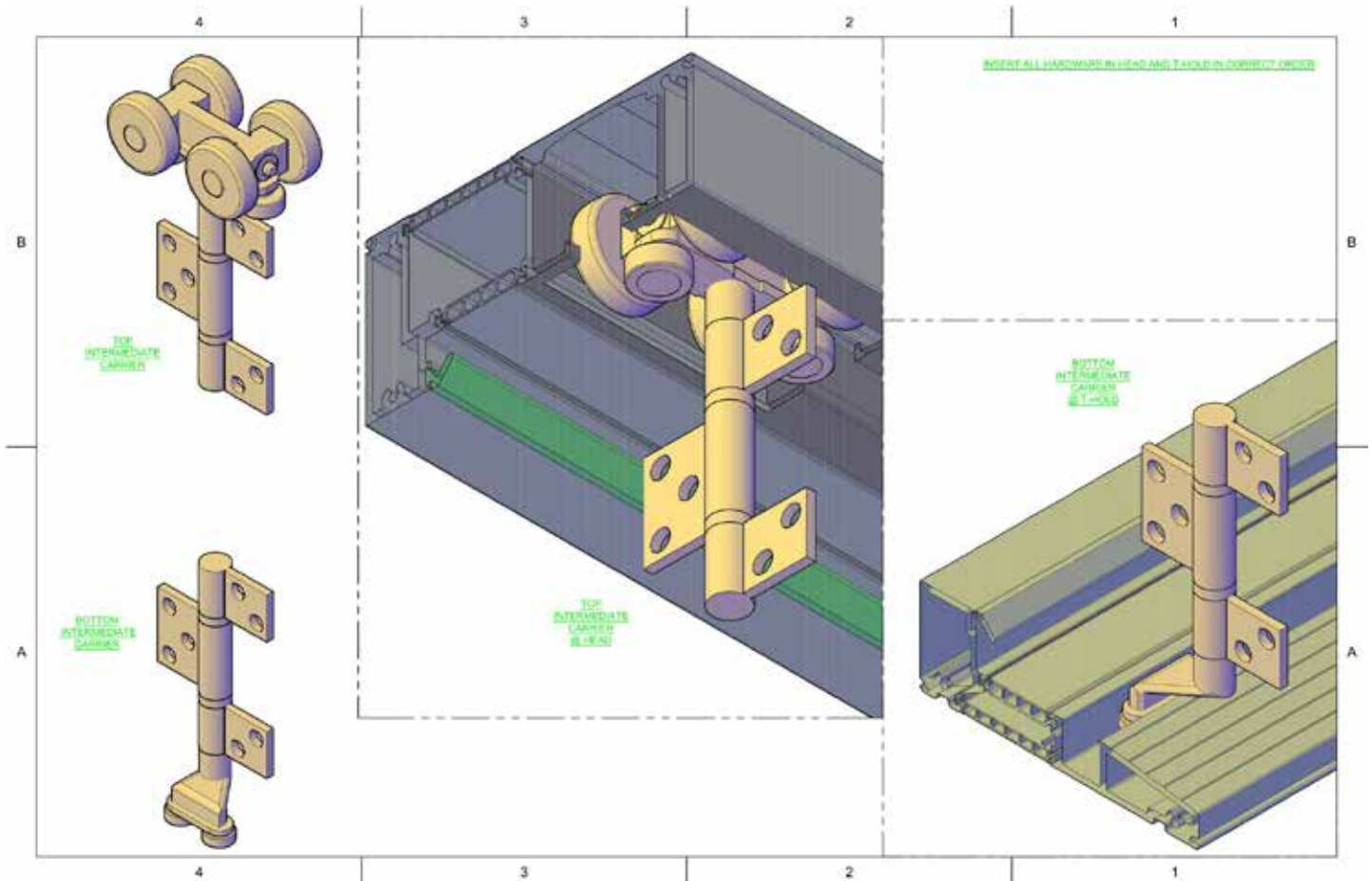
Frame Installation

8. Mounting at jambs –
 - a. Ensure that the jambs are plumb and square, using shims as necessary.
 - b. Pump sealant into the jamb mounting holes to ensure that the penetration is sealed completely.
 - c. Shim and anchor jambs with #10 x 2½" pfh anchors.
9. Shim and anchor head with minimum ¼" x 3" lag bolts as anchors in all predrilled holes.

Hardware Installation

1. Insert all intermediate carrier hardware in the correct order, as shown in Fig 2.
Note: The order will vary depending on the number of panels and the operation direction chosen.

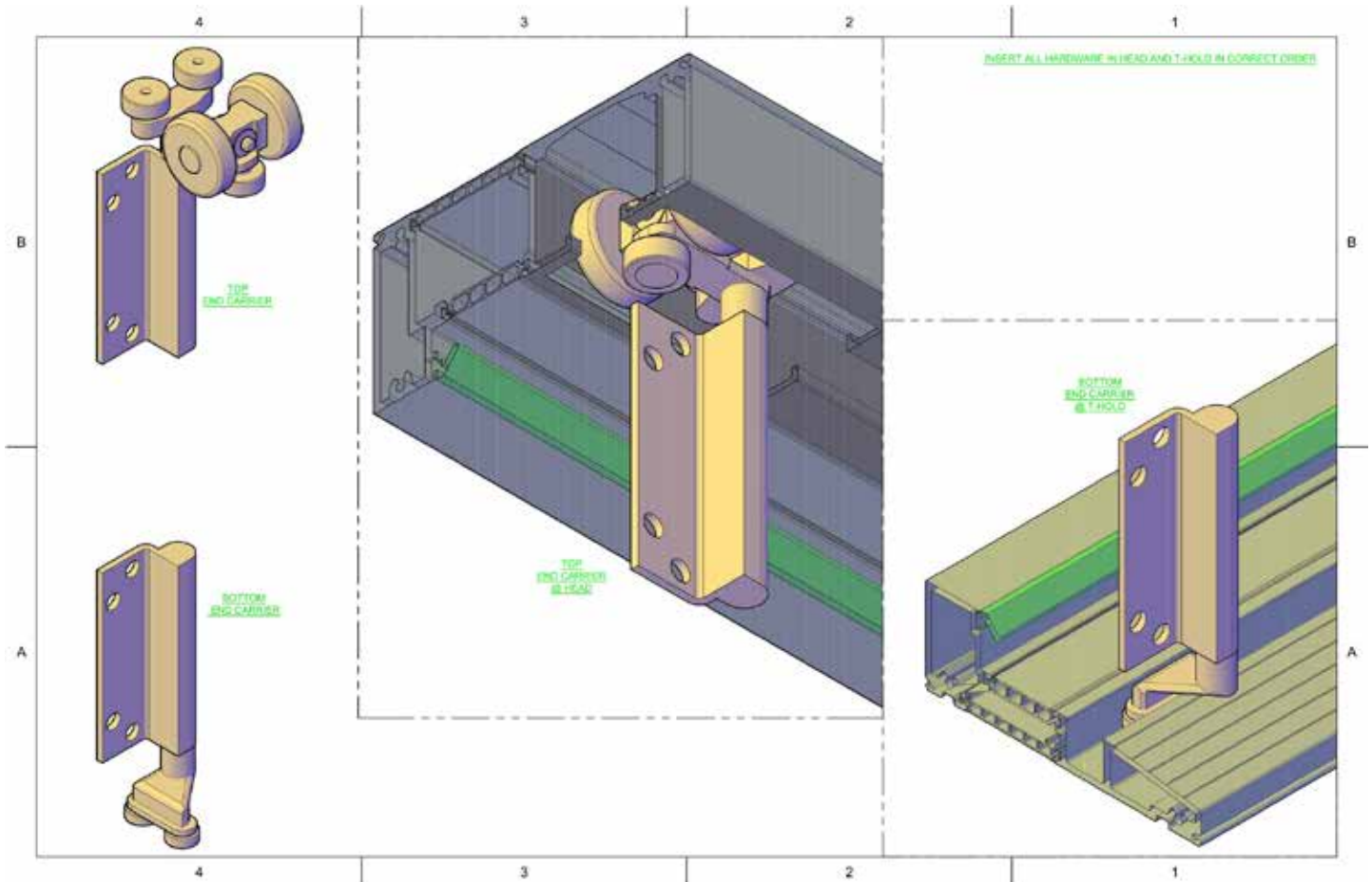
Fig. 2



Hardware Installation

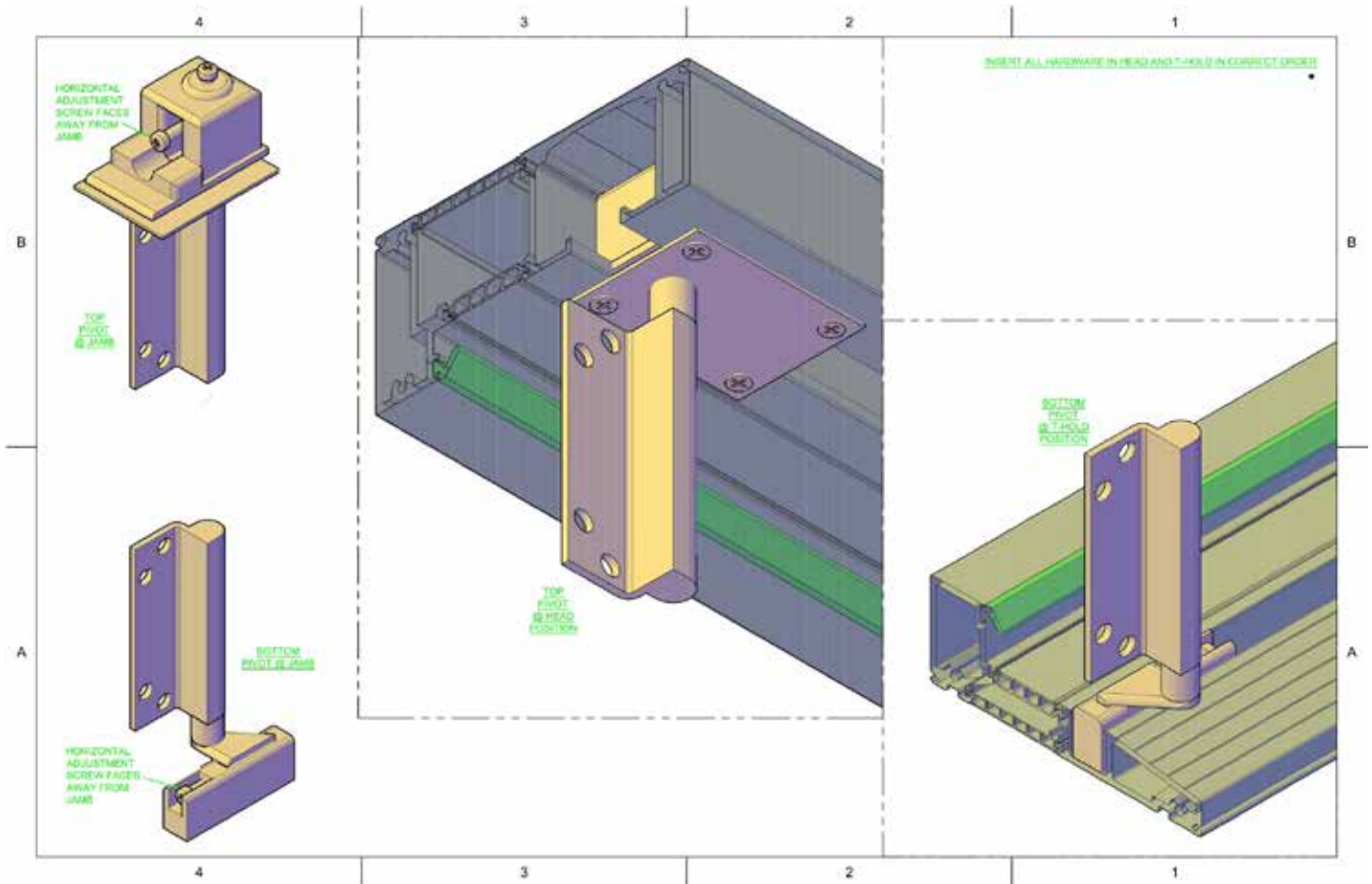
2. Prepare all end-carrier hardware for correct handing. Additional instruction can be found in the hardware box.
3. Insert end carrier hardware in the head and the threshold (through cutouts at the jamb pivots).

Fig. 3



Hardware Installation

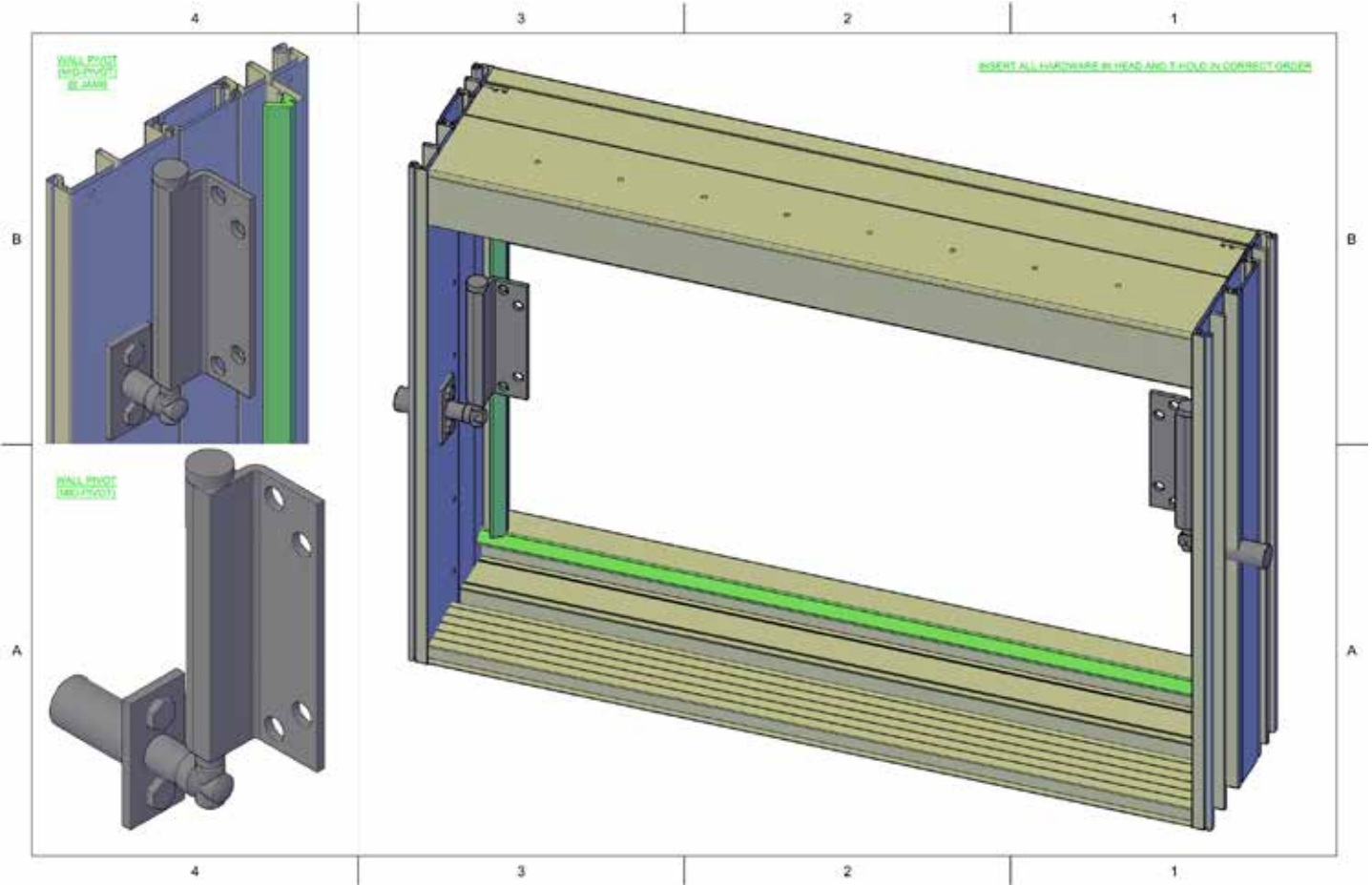
Fig. 4



4. Prepare the top and bottom pivot hardware (mounts at jambs) (See Fig. 4).
5. Check the hardware orientation and handing.
6. Insert the pivot hardware in the head and the threshold (through cutouts at the pivot jamb). Anchor with the screws supplied in the hardware box.
7. Prepare the wall pivot hardware.
8. Drill a $\frac{3}{4}$ " hole 1" deep in the jamb structure.
9. Attach the wall pivot hardware to the jamb as needed. Doors supplied under 84" in height do not require this.

Hardware Installation

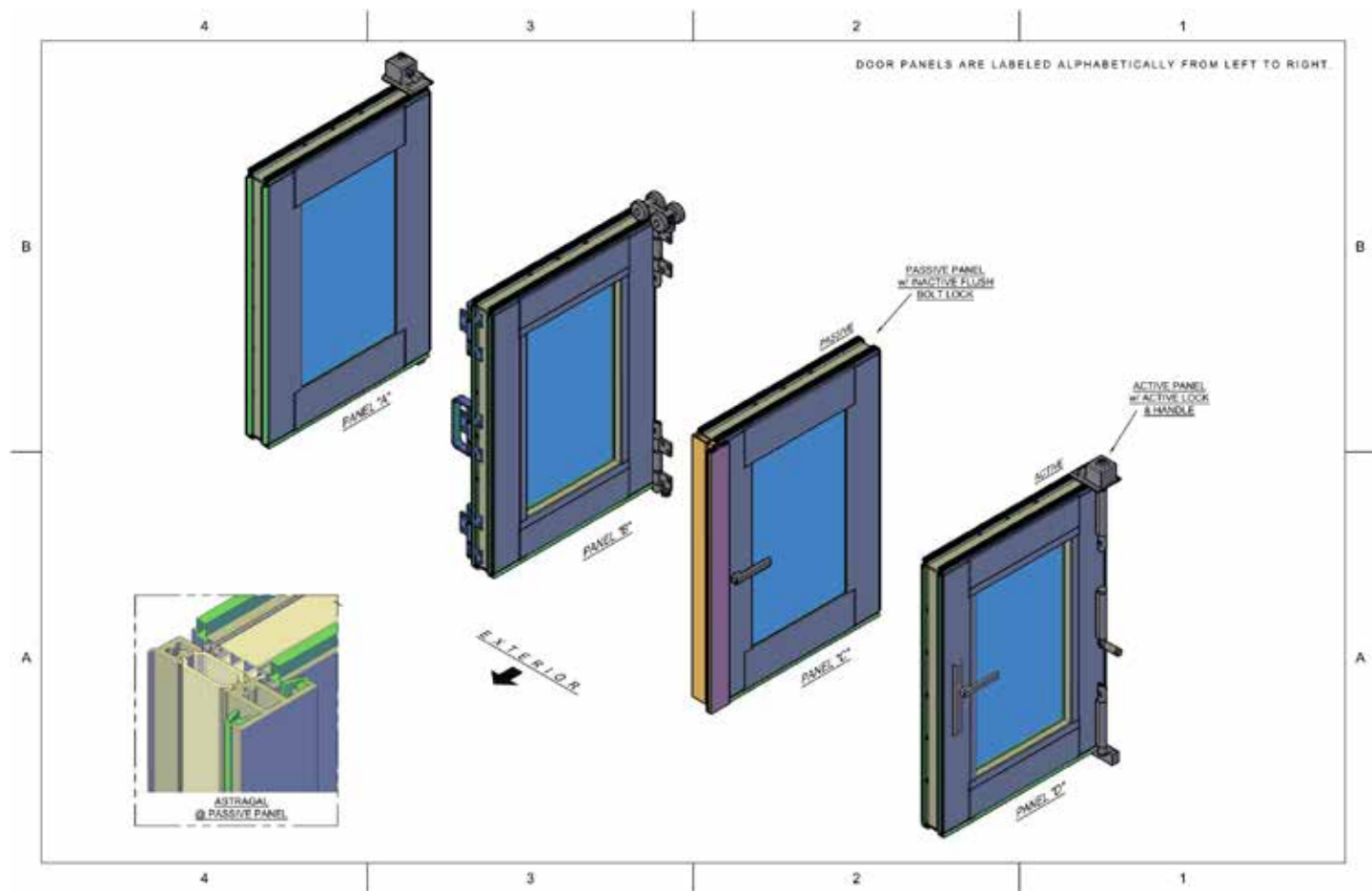
Fig. 5



Panel Installation

1. The door panels are labeled alphabetically from left to right (See Fig. 6).

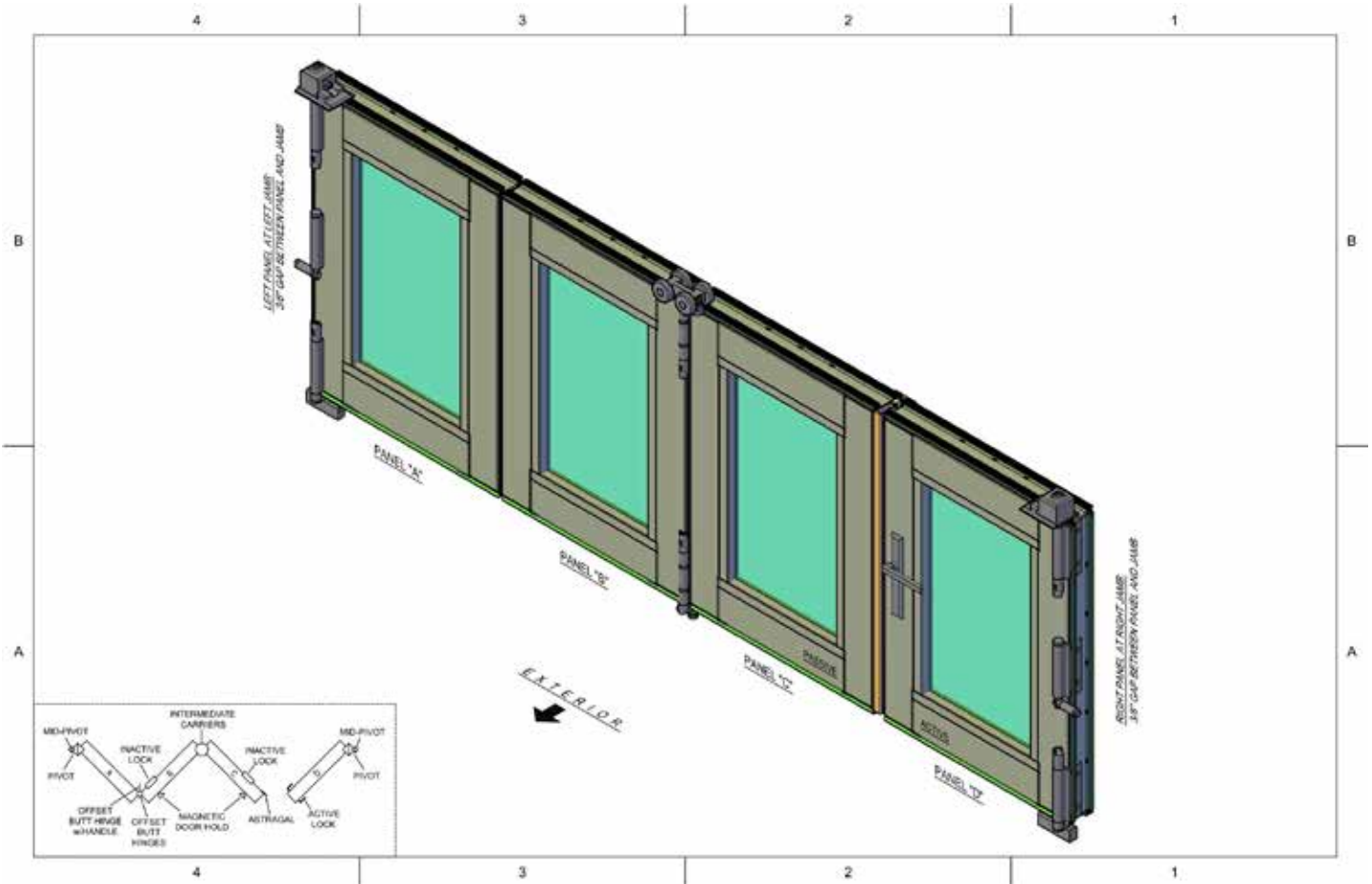
Fig. 6



2. Check for orientation and swing direction.
3. Check for panel positioning.
4. Thoroughly clean and lubricate the frame head and threshold.
5. Separate the door panels into appropriate pairs.
6. Insert and hold the open door panels at 90 degrees in the main frame.
7. Support the panel weight with a pad that is even with the top of the threshold.
8. Attach all pivots, floor guides, carriers, and butt hinges to the panel stiles. Always start with the wall pivots and work your way into the center of the opening.
9. Open the door panels and adjust the height level at the carrier hardware using an 8mm Allen wrench. All panels should have the same reveal at the top and bottom.
10. Adjust the horizontal panel position using a #3 head Phillips screwdriver at the wall pivot housings at the head and the sill. The reveal at the jamb should be even from top to bottom. The gap between the jamb and the panel should be $\frac{3}{8}$ ".

Panel Installation

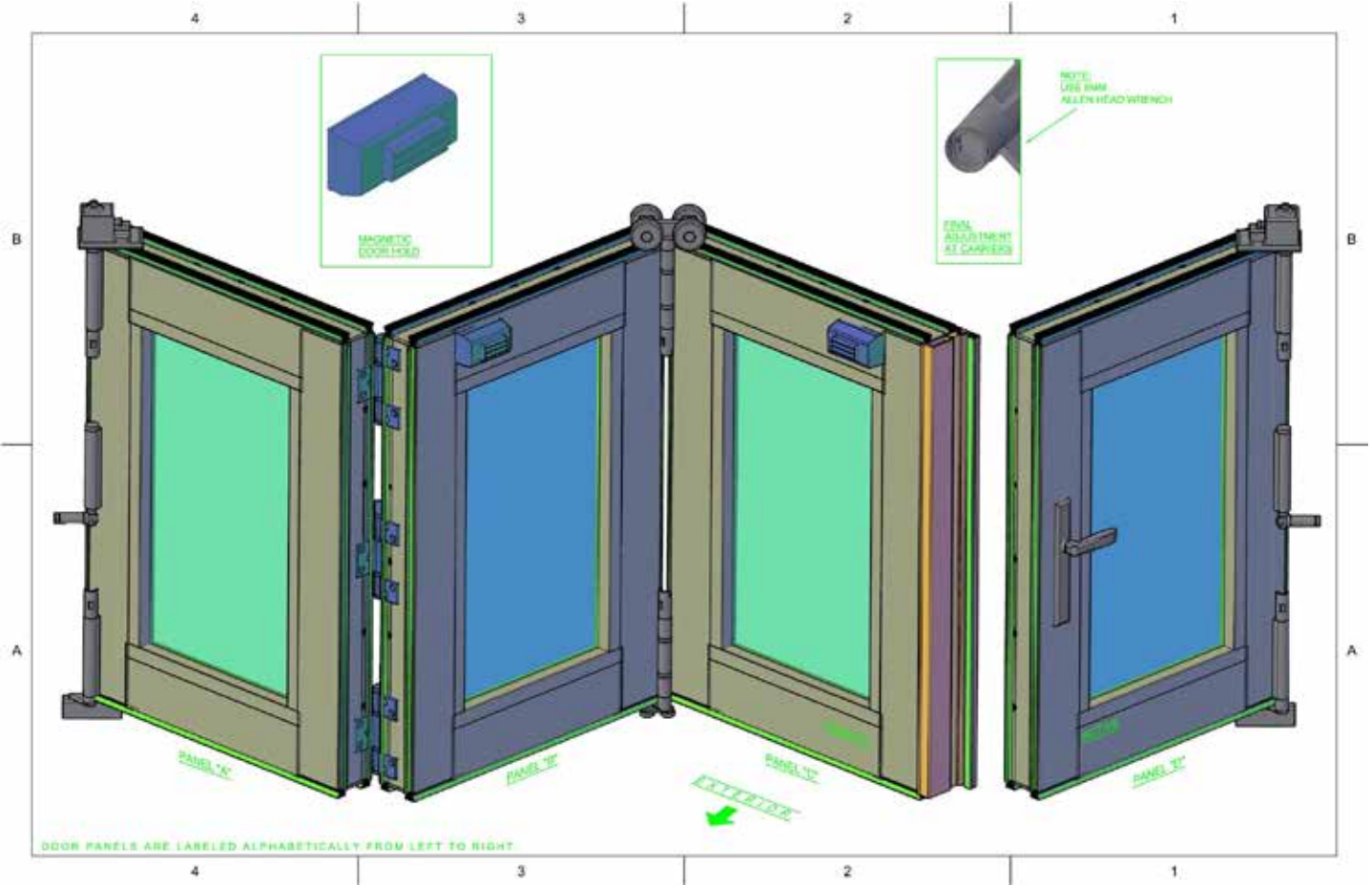
Fig. 7



11. Test-operate all of the door panels.
12. Fine-tune and adjust until the doors operate smoothly and the gaps are even and acceptable.
13. Apply the magnetic door holds to the appropriate panels. (See Fig. 8 for positioning.)
14. Apply the supplied foam weatherstrip to each hinge location.

Panel Installation

Fig. 8





westernwindowssystem.com | 877-268-1300
2200 E. Riverview Dr., Phoenix, AZ 85034