

Series 9550 Bi-Fold Door (Head Load)

The Series 9550 Bi-Fold Door from Western Window Systems is designed to smoothly stack and fold against side walls, creating a huge opening from corner to corner and connecting the inside with the outside. With both inswing and outswing capabilities, panels up to 42" wide and 144" tall, and countless configurations, you can unlock several creative possibilities.

ENERGY EFFICIENCY

- Low-E, argon-filled dual-paned glass
- .33 U-value for floor load
- .36 U-value for head load

HARDWARE

- Water-barrier sill
- Flush sill
- U-track
- Dallas handle
- Inactive lock handle
- D-shape pull handle

OPTIONS

When using top-hung sill tracks, the water-barrier sill is 1.82" and the flush sill is 1.07" tall. The door includes three high-quality handles: the Dallas handle, located on all active panels; a D-shaped pull handle, at the bi-fold's pivot points; and an inactive lock handle, at the door's pivot points, which secures the panels with steel pins at the head and sill. The Dallas handle has a keyed cylinder.

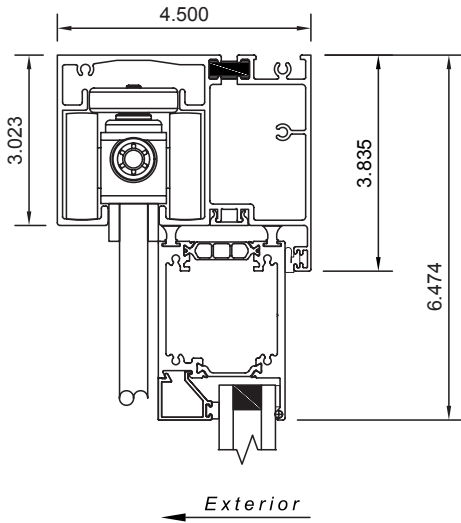
FINISHES AND COLORS

Finishes are available in-stock or as designer selections, and they can be customized to match nearly any color. Bronze Anodized and Satin Anodized come standard with a Class 1 coating thickness for increased smoothness and durability. Our designer colors include a high-quality paint finish that conforms to a minimum rating of AAMA-2605, currently the highest rating for organic finishes.

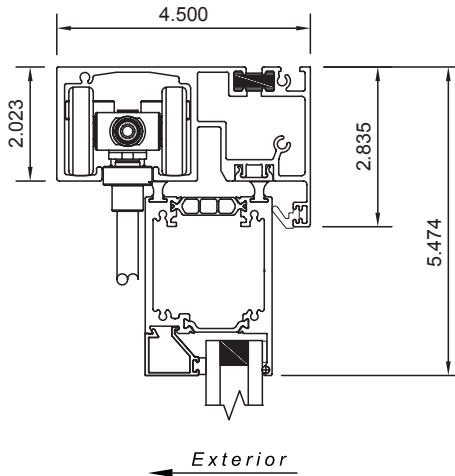
PERFORMANCE

Frame Depth	4.5"
AAMA Product Designation (AAMA/WDMA/CSA101/I.S.2/A440 Designation)	CW-PG30-144x96-FLD
Test Configuration	1L-3R
Air Infiltration (Per ASTM E 283)	<0.3 cfm/ ft2 @ 1.57 psf
CSA A440 Air	<0.3 cfm/ ft2 @ 1.57 psf
Water Resistance (Per ASTM E 547)	4.59 psf
Uniform Load Deflection (Per ASTM E 330)	0.22"
Uniform Load Structural (Per ASTM E 330)	30psf
Forced Entry Resistance	SGD Type A Grade 10
U-Factor (Per NFRC 100)*	0.36
CR (Per NFRC 500)*	52
CRF Frame (Per AAMA 1503)	N/A
Actual values may vary depending on product specifications and configuration. *Glass Makeup = 1" OA E366/Argon/Clear	

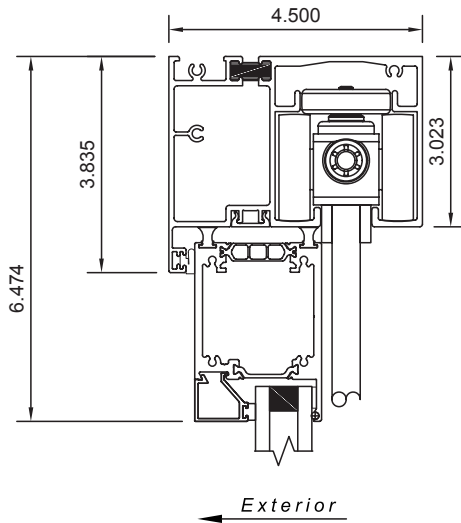
Series 9550 Bi-Fold Door (Head Load)



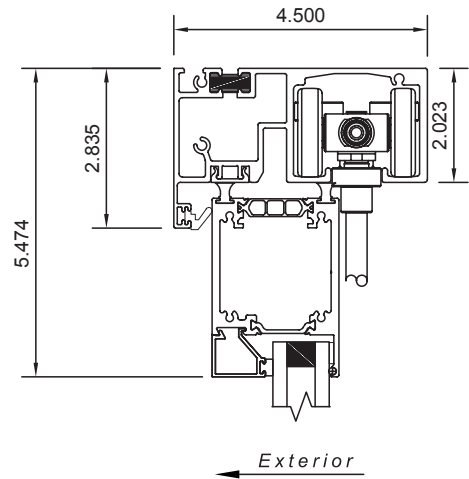
Heavy Duty Head Load Bi-Fold Fold-Out Head



Head Load Bi-Fold Fold-Out Head

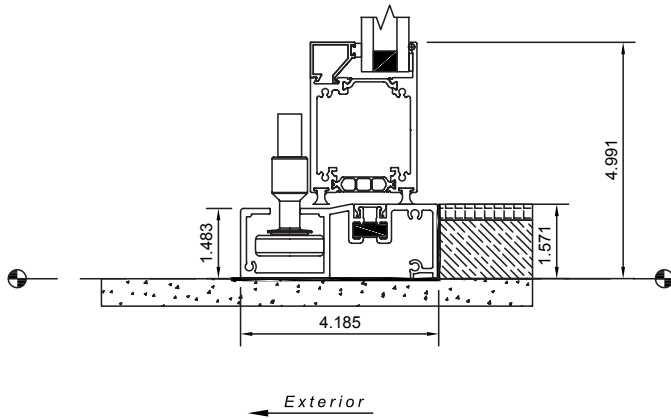


Heavy Duty Head Load Bi-Fold Fold-In Head

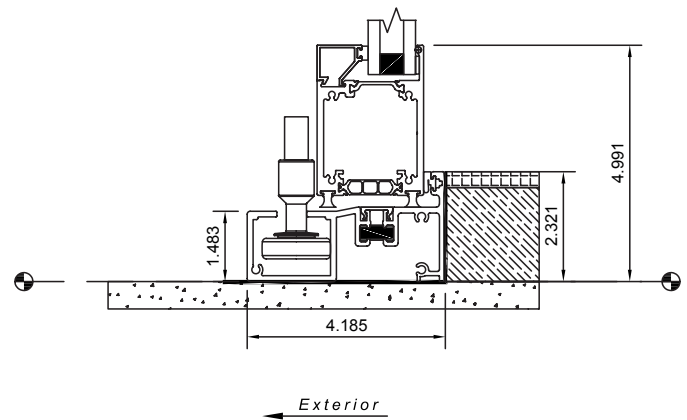


Head Load Bi-Fold Fold-In Head

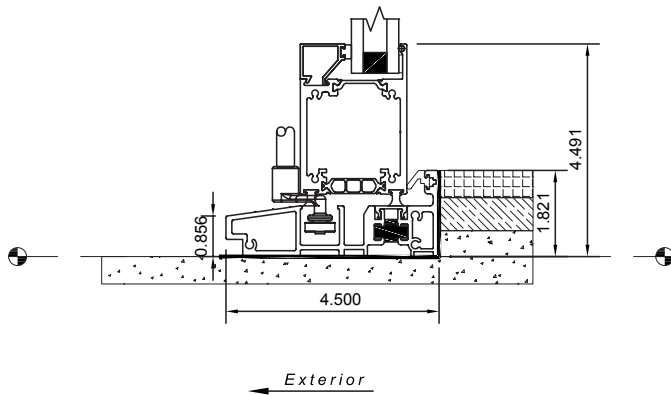
Series 9550 Bi-Fold Door (Head Load)



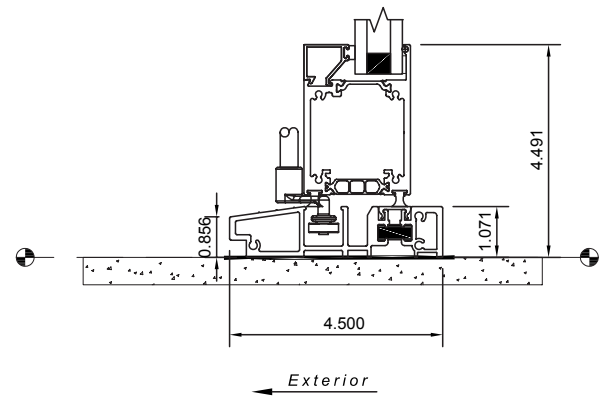
Heavy Duty Head Load Bi-Fold ~ Fold Out With Flush Threshold



Heavy Duty Head Load Bi-Fold ~ Fold Out With High Leg Threshold

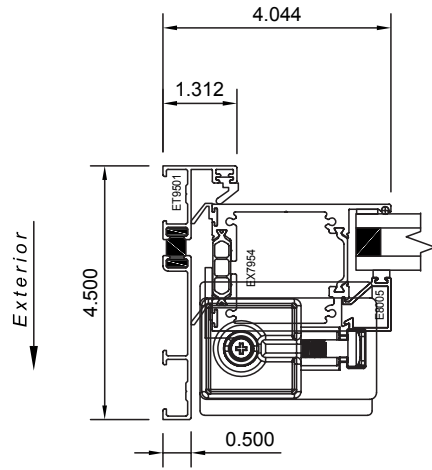


Head Load Bi-Fold Fold-Out High Leg Threshold

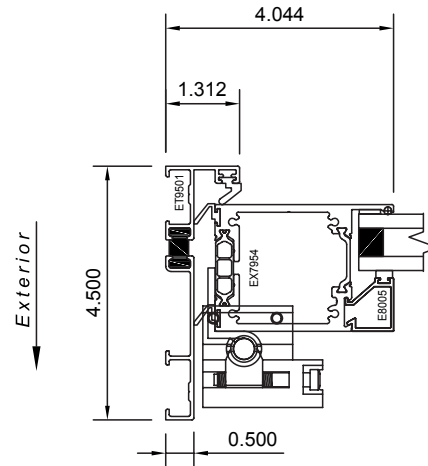


Head Load Bi-Fold Fold-Out Flush Threshold

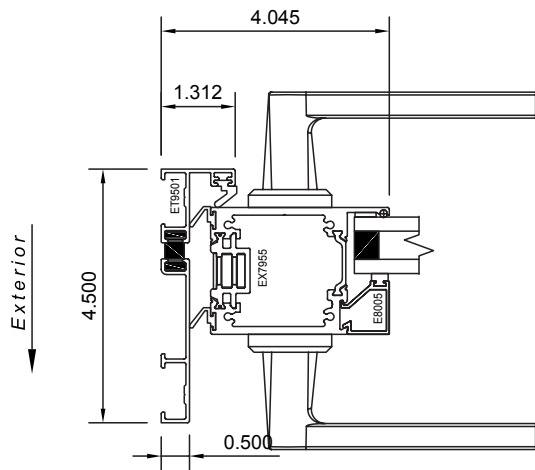
Series 9550 Bi-Fold Door (Head Load)



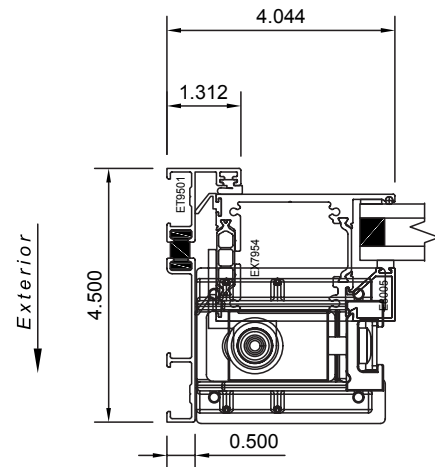
Head Load Bi-Fold ~ Fold Out With Equal Leg Jamb



Heavy Duty Head Load Bi-Fold ~ Fold Out With Flush Threshold

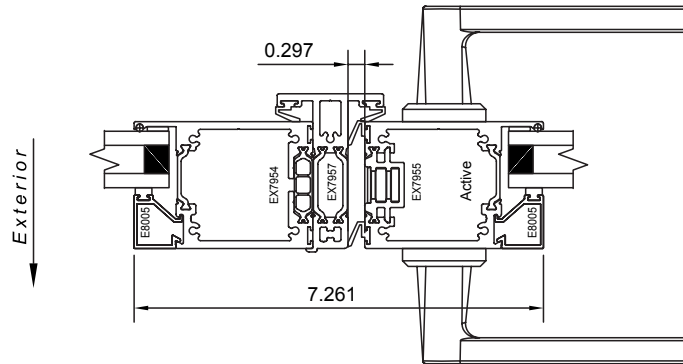


Head Load Bi-Fold ~ Fold Out - Active Lock Jamb



Heavy Duty Head Load Bi-Fold ~ Fold Out With Flush Threshold

Series 9550 Bi-Fold Door (Head Load)



Head Load Bi-Fold ~ Fold Out - BiPart - Active Lock

Series 9550 Bi-Fold Door (Head Load)

