



INSTALLATION INSTRUCTIONS
WESTERN SERIES 600 SLIDING DOORS AND WINDOWS

Follow instructions pertaining to configuration you are installing.

XO, OX OR OXXO..... 1-11.
OXOL OR OXOR..... 1-11 & A
XOO OR OOX..... 1-11 & B

1. Check rough opening to verify that it is plumb, level and approximately ½” wider and ¼” taller than the net frame size.

2. Assemble main frame members on floor with protection to avoid damaging finish. Use #8 x 1¼” pan head screws (#8 X ¾” if stainless steel) as shown in **drawing #1**. If frame has optional nail fin, apply and seal provided corner bridges. Install the dust cover over the lock strike with the double sided tape per drawing #2.

3. Underneath threshold apply a full bead of quality sealant where jamb and threshold meet. From the top side of the threshold seal the vertical joint where the interior leg of the threshold meets the jamb at 90°. Tool the sealant into both areas to ensure the seal is complete.

4. After dry fitting the frame, clean floor and apply a heavy bed of sealant from jamb to jamb on interior side of installation holes. At jambs sealant should run vertical on building wall approximately 2”. **See drawing #1. This is the most critical area to be sealed to assure a watertight installation.**

5. Center frame in opening and temporarily shim jambs. If floor is not level, shim threshold as required.

6. If floor is concrete, drill through countersunk holes in threshold with ¼” masonry drill and insert plastic expanding anchors. Secure threshold using #10 x 2½” flat head screws into anchors. If floor is

wood, proper flashing must be installed prior to door installation. Where screws penetrate flashing, pump sealant into holes prior to inserting screw to ensure penetration is sealed completely.

7. Plumb and square jambs using shims just above each anchor hole. Secure jambs with #10 x 2½” flat head screws into anchors or wood framing. **If Type 1 frame with integral nail fins is used, apply supplied corner bridges and seal them completely from the exterior side.**

8. Insert operating panel into head channel and lower onto threshold. Locate roller adjustment holes in bottom of lock and interlock stiles. Use a Phillips screw driver to adjust each roller to accomplish a panel height of 5/16” between vent bottom rail and threshold making sure the lock stile is parallel to jamb. Lift weight off rollers as you adjust.

9. Attach T-clip to top of fixed panel interlocker by removing and discarding the top panel assembly screw. Replace it with the supplied fastener. It will be a #10 x 2 ½” on narrow stile doors and a #10 X 3 ½” on medium stile doors. **See drawing #3.** Leave screw loose temporarily. Attach L-clip to bottom of panel by inserting short leg of angle up into interlock stile. Secure with #8 x ½” self tapping screw. Insert fixed panel into head channel and lower onto threshold. With operating panel slightly open, use the ball of your foot to slide fixed panel towards jamb and seat into jamb channel. Close and lock operating panel. Fixed and vent interlock stiles should engage and line up. If not, check to see that frame and panels are plumb and square, and that fixed panel is fully seated into jamb channel. Using hole in fixed panel L-clip as a guide, drill a ¼” hole through threshold and into floor as required. Anchor using one #10 x 2” pan head screw as shown in **drawing #3.** Adjust head as required to be parallel with threshold. Position T-clip in header and tighten #10 x 2½” panel assembly screw. Shim door head directly above T-clip and using hole in T-clip as a guide, drill a ¼” hole through head and anchor with one #10 x 2” pan head screw. From interior install one #8 x ½” self tapping screw through fixed jamb leg into fixed panel stile approximately 41.00” up from floor. **This screw secures fixed panel from being removed from outside.** Install bumper with #10 x 1¼” screw as shown in **drawing #1.**

10. Install handle set as shown in drawing #2. Depress the button on the face of the lock and actuate the thumb turn to close the lock mechanism. Slide the vent panel close enough to the strike to confirm that it is in the correct position. Adjust as required and drill a 9/64 pilot hole through the dust cover and install the #10 x 2.5” FHPH screw in the center hole into the structure. The center screw in the lock mechanism will allow the hooks to be adjusted in or out.

11. Seal perimeter of door frame to structure with quality construction sealant. Door installation is complete.

A. OXOL AND OXOR DOORS ONLY. Insert dead-lite panel (panel with no interlocking stiles) into head channel and lower onto threshold. Using the ball of your foot, slide panel towards jamb and seat into jamb channel. Install false jamb member into frame by placing top end into head channel against dead-lite panel with bottom end angled away from panel. Push up to slightly raise door head to avoid scratching threshold while you move bottom end towards panel until member is seated firmly onto panel. Using hole in bottom of false jamb clip as a guide, drill a ¼” hole through threshold and into floor as required. Anchor threshold using one #10 x 2” pan head screw as shown in **drawing #4**. Shim door head directly above false jamb until parallel with threshold. Using top clip as a guide, drill a ¼” hole through head and anchor to structure with one #10 x 2” pan head screw. Anchor false jamb to dead-lite panel using two #8 x ½” self tapping screws, one inside and one outside, through false jamb leg into dead-lite panel stile approximately 41.00” up from floor. At the false jamb and sill on the fixed side place the 2” X 1 ¾” channel between the fixed panel and interior log of the threshold. Fasten by sealing top side to false jamb.

B. XOO AND OOX DOORS ONLY. Insert dead-lite panel (panel with no interlocking stiles) into head channel and lower onto threshold. Using the ball of your foot, slide panel towards jamb and seat into jamb channel. Install false jamb member into frame by placing top end into head channel against dead-lite panel with bottom end angled away from panel. Push up to slightly raise door head to avoid scratching threshold while you move bottom end towards panel until member is seated firmly onto panel. Using hole in bottom of false jamb clip as a guide, drill a ¼” hole through threshold and into floor as required. Anchor threshold using one #10 x 2” pan head screw as shown in **drawing #4**. Shim door head directly above false jamb until parallel with threshold. Using top clip as a guide, drill a ¼” hole through head and anchor to structure with one #10 x 2” pan head screw. Anchor false jamb to dead-lite panel using two #8 x ½” self tapping screws, one inside and one outside, through false jamb leg into dead-lite panel stile approximately 41.00” up from floor. Attach t-clip to top of fixed panel interlocker by removing and replacing #10 x 2½” panel assembly screw. **See drawing #3**. Leave screw loose temporarily. Attach L-clip to bottom of panel by inserting short leg of angle up into interlock stile. Secure with #8 x ½” self tapping screw. Using the ball of your foot, slowly slide fixed panel towards dead-lite panel until it seats into exterior part of false jamb. Position T-clip in header and tighten #10 x 2½” panel assembly screw. Shim door head directly above T-clip and using hole in T-clip as a guide, drill a ¼” hole through head and

anchor to structure with one #10 x 2” pan head screw. From interior, install one #8 x ½” self tapping screw through fixed jamb leg into dead-lite panel stile approximately 41.00” from floor. **This screw secures fixed panel.** Install door stops at threshold and head, as shown in **drawing #6**, positioned to stop sliding panel 1” before exterior handle contacts fixed panel interlocker.

SCREEN INSTALLATION INSTRUCTIONS
WESTERN SERIES 600 SLIDING GLASS DOORS AND WINDOWS

1. Position screen in front of door opening on outside of building with flat side of screen towards door with screen lock stile at door lock jamb.

2. Without stretching it, trim vinyl bug strip flush with top and bottom edge of screen frame.

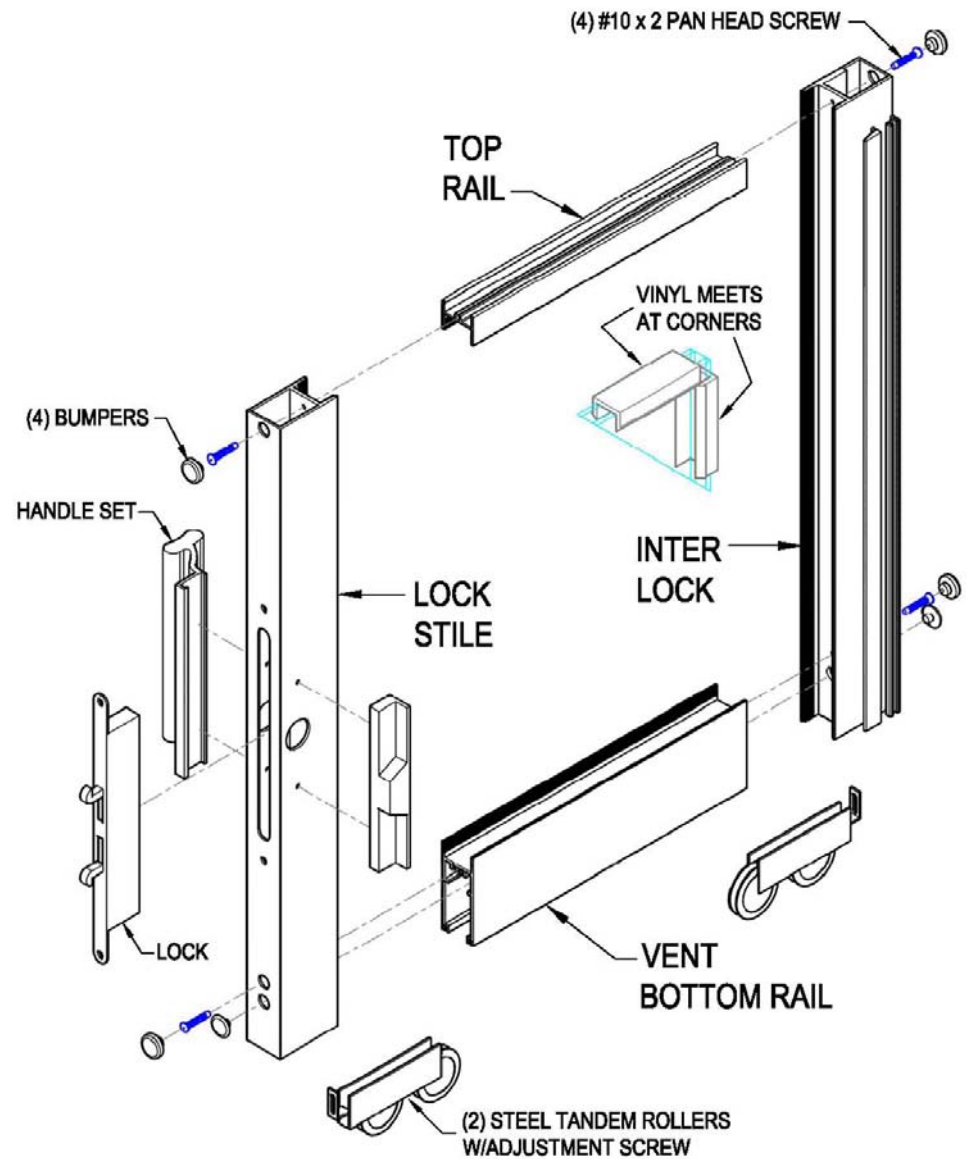
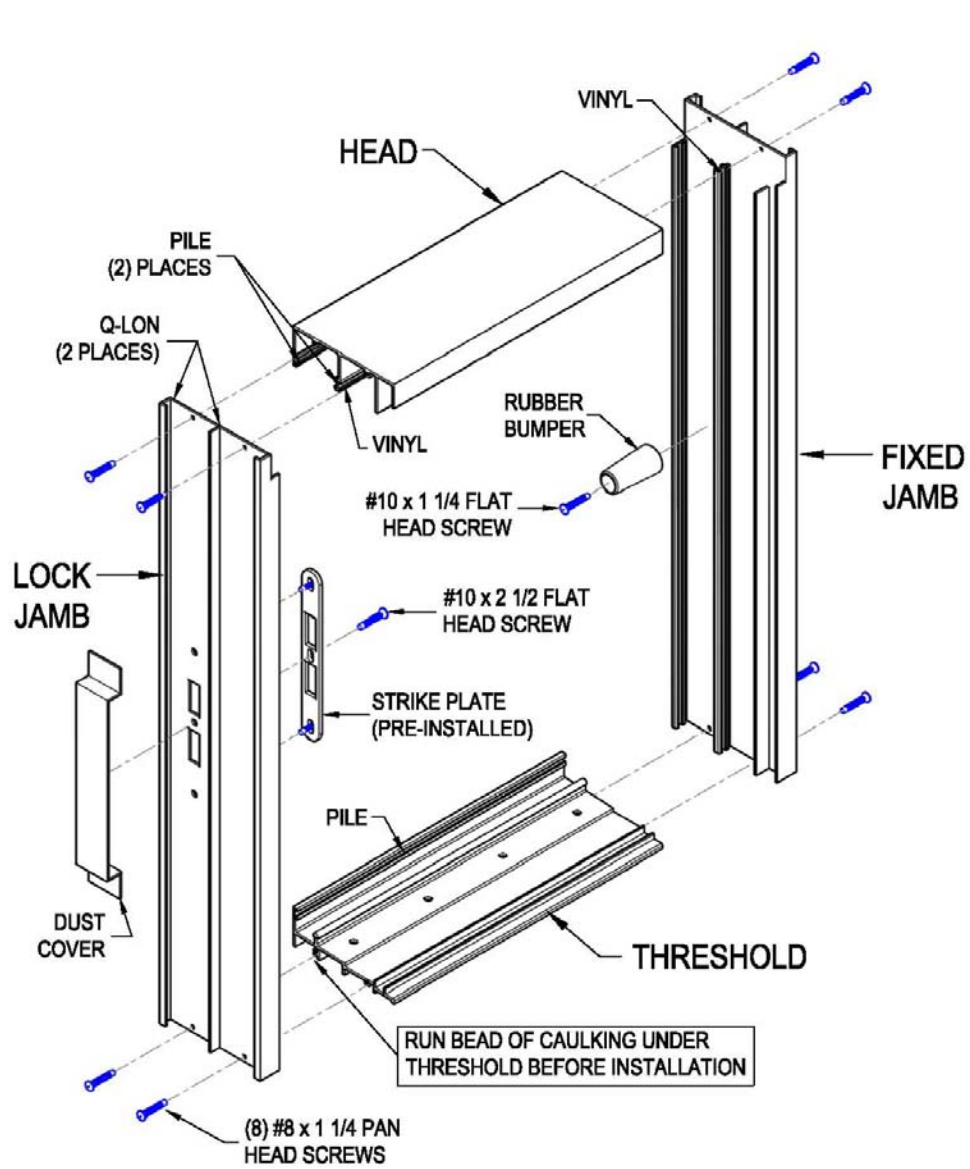
3. Lift screen to insert top edge into outer track of door head channel and move bottom in towards threshold until rollers contact roller track. Using a small flat pry bar, lift rollers, one at a time, onto track.

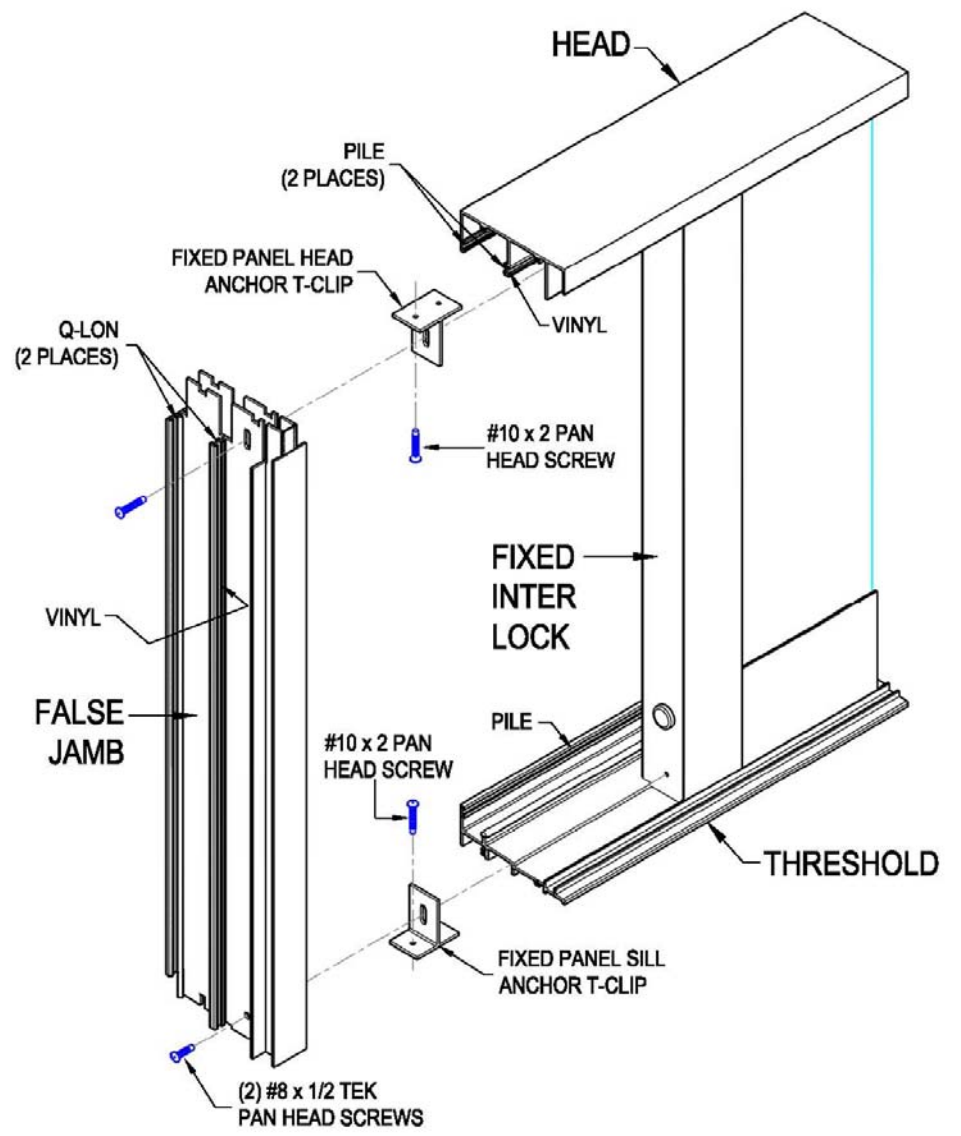
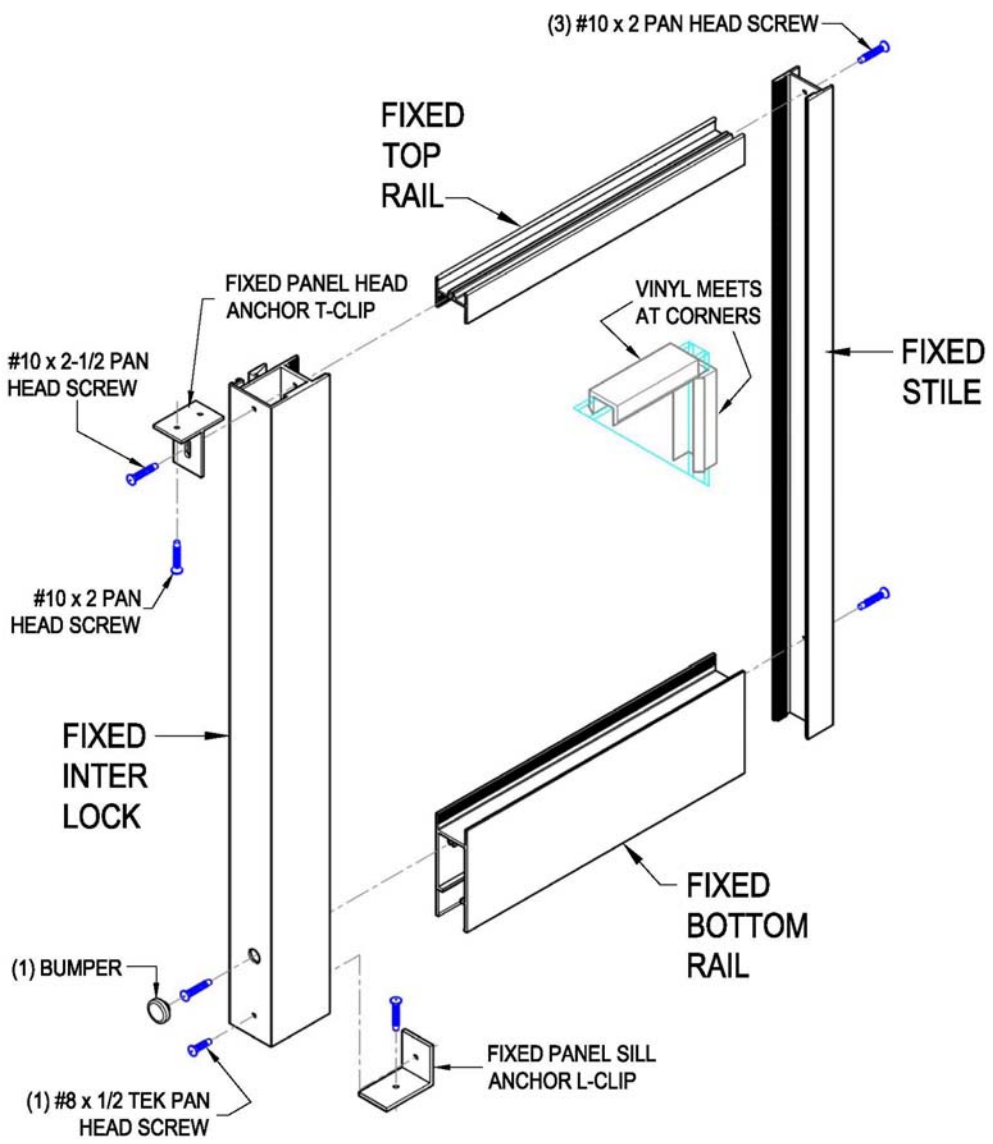
4. Using a 7/16 wrench, adjust two bottom rollers so screen lock stile is parallel with door jamb. When adjustments are complete, clearance between screen bottom rail and threshold should be approximately 3/16” and there should be a minimum of vertical movement when you attempt to move screen up and down

5. Using screws provided, install screen strike onto door jamb at proper height to receive lock hook.



5621 South 25th Street
Phoenix, Arizona 85040-3698
Phone (602)268-1300, Fax (602)243-3119





TITLE: **FIXED PANEL ASSEMBLY**



TITLE: **FALSE JAMB ASSEMBLY**