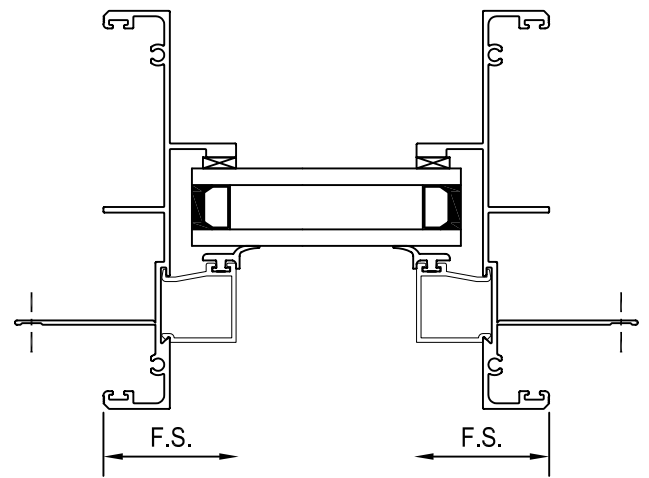


Vertical Section



Horizontal Section

NOTE: ROUGH OPENINGS SHOULD BE FLASHED WITH AN APPROPRIATE MOISTURE BARRIER IN ACCORDANCE WITH INDUSTRY STANDARDS AND/OR BUILDING CODES. USE SEALANT THAT IS RECOMMENDED BY MOISTURE BARRIER MANUFACTURE.

- 1) APPLY A CONTINUOUS 1-FINGER BEAD OF SEALANT TO THE INTERIOR FACE OF NAIL-FIN. MAKE SURE NAIL-ON FLANGE WILL MAKE FULL CONTACT AROUND ROUGH OPENING.
- 2) IMMEDIATELY PLACE WINDOW IN OPENING. WINDOW SILL SHOULD SIT LEVEL WITH FULL BEARING ON SILL BUCK.
- 3) CENTER WINDOW IN OPENING. VERIFY PLUMB AND LEVEL CONDITION OF WINDOW, MAKING SURE THE REVEAL IS EQUAL.
- 4) SECURE ALL NAIL FIN TO STRUCTURE USING SELF TAPPING SCREWS AT A MAXIMUM OF 12" O.C. WITH FIRST SCREW AT 3" FROM CORNER OF NAIL-FIN.
- 5) RECHECK PLUMB & LEVEL CONDITION OF WINDOW.

** WHEN EXTERIOR WALL FINISH IS COMPLETED - PERIMETER CAULK TO WINDOW FRAME. **