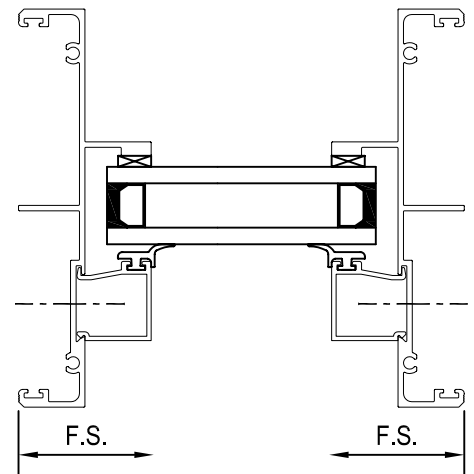


Vertical Section



Horizontal Section

NOTE: ROUGH OPENINGS SHOULD BE FLASHED WITH AN APPROPRIATE MOISTURE BARRIER IN ACCORDANCE WITH INDUSTRY STANDARDS AND/OR BUILDING CODES. PERIMETER CAULK WINDOW FRAME TO MOISTURE BARRIER AFTER INSTALLATION.

- 1) REMOVE STOPS FROM JAMBS. DRILL $\frac{3}{16}$ " HOLES IN STOP TRACKS @ MAX. 12" O.C., WITH THE FIRST SCREW AT 6" FROM THE CORNER OF THE FRAME. COUNTERSINK HOLES SO THAT HEAD OF SCREW WILL NOT INTERFERE WITH REPLACEMENT OF STOPS. (RECOMMENDED SCREW TYPE 10-2 $\frac{1}{2}$ FLAT HEAD)
- 2) PLACE WINDOW IN OPENING. WINDOW SILL SHOULD SIT LEVEL WITH FULL BEARING ON STRUCTURAL SILL.
- 3) CENTER WINDOW IN OPENING. VERIFY PLUMB AND LEVEL CONDITION OF WINDOW, MAKING SURE THE REVEAL IS EQUAL.
- 4) SHIM WINDOW ABOVE OR BELOW ALL ANCHOR POINTS. VERIFY PLUMB & LEVEL.
- 5) SECURE JAMBS WITH SCREWS AT PRE-DRILLED HOLES TO SECURE WINDOW JAMBS TO STRUCTURE WITH APPROPRIATE LENGTH OF SCREWS. REAPPLY JAMB STOPS.
- 6) RECHECK PLUMB & LEVEL CONDITION OF WINDOW.

** WHEN EXTERIOR WALL FINISH IS COMPLETED - PERIMETER CAULK TO WINDOW FRAME. **