

E112 Optional Nailing Fin

1.00

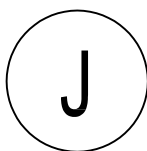
0.75

E112

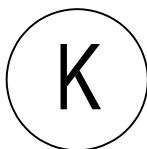
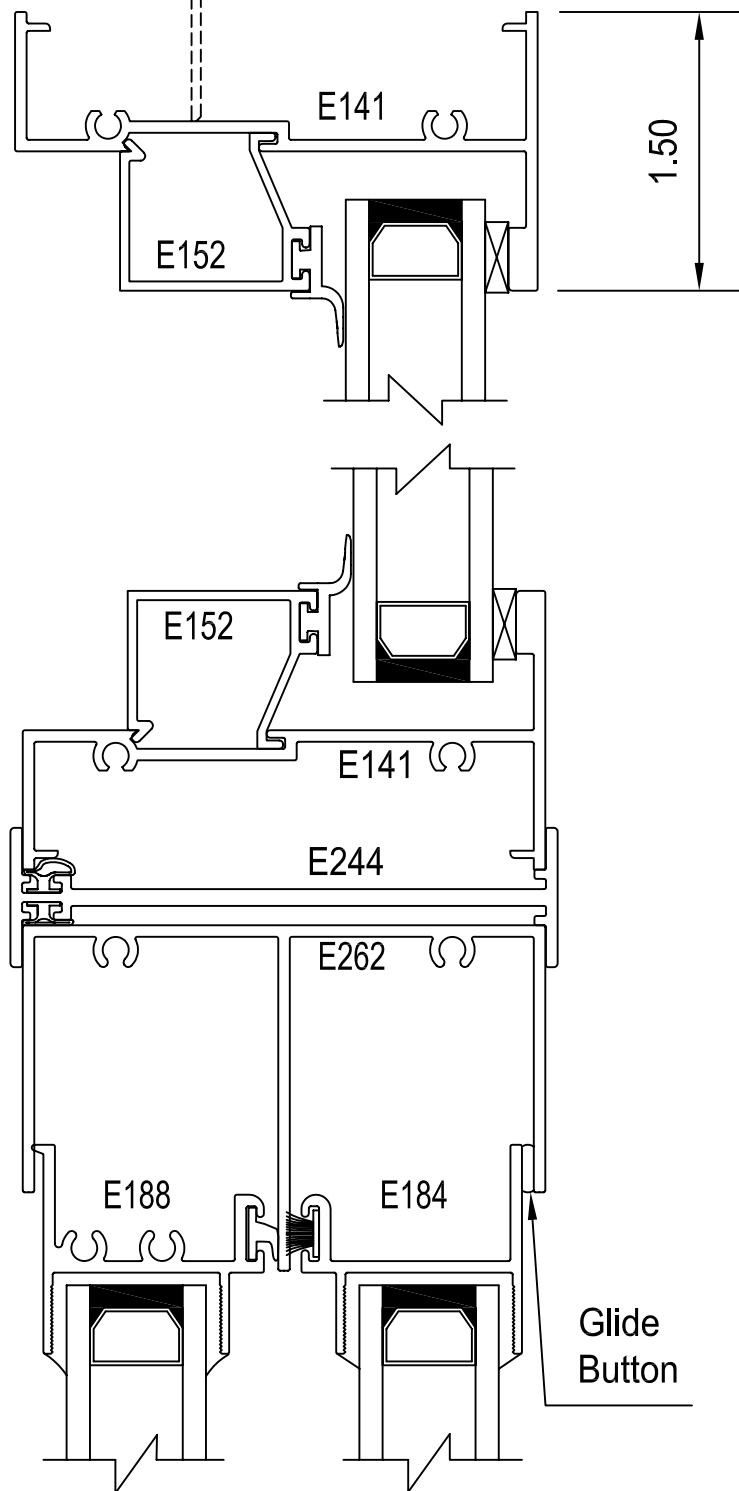
E141

E152

1.50



Head



Combo Rail



5621 S. 25th Street Phoenix, AZ 85040 (602) 268-1300

Series 100
Fixed and Operating Windows